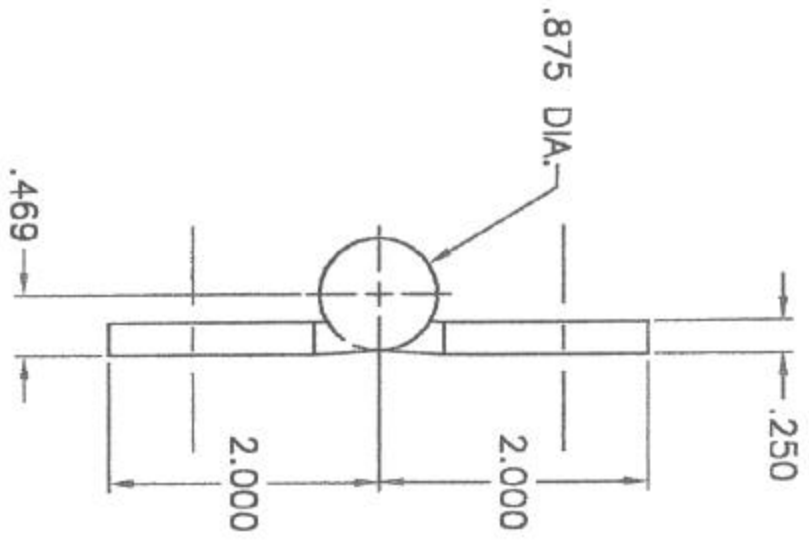


- NOTE:
1. DIMENSIONS ARE NOMINAL AND ARE IN INCHES.
  2. DOOR & FRAME MANUFACTURERS ARE RESPONSIBLE FOR PROVIDING ADEQUATE CONSTRUCTION AND REINFORCEMENT OF HARDWARE SHOWN.
  3. DIMENSIONS ARE SUBJECT TO CHANGE WITHOUT NOTICE.
- USE ONLY CURRENT, APPROVED TEMPLATING.



**WEIZEL SECURITY**  
 TEMPLATE, 45-125-UH3 3"x4" FULL SURFACE  
 HINGE, BOLT ON W/ THRU HOLES  
 DATE: 7/30/03